

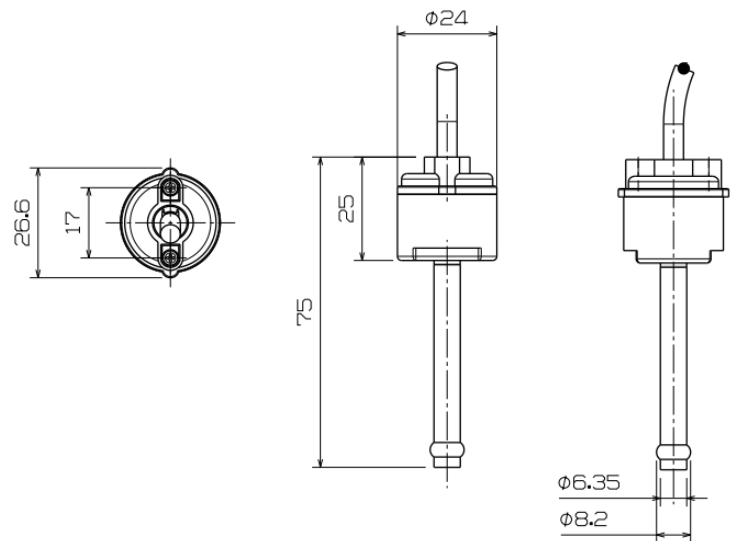
## Pressure Sensors for Air Conditioning AC SENSOR

### DESCRIPTION

Sensors for air conditioning (sensors for air conditioning inverter outdoor units) are essential components of the air conditioning system,

It is mainly used to optimize the efficient operation and performance of outdoor units.

Sensors detect data in various environmental conditions and provide it to the control system, enabling stable and energy-efficient operation.



### Refrigerant system

- It detects abnormal high or low pressure to prevent damage to the air conditioner.
- Adjust the refrigerant flow of the inverter air conditioner and the compressor speed for efficiency to improves.
- Detect refrigerant leaks and pressure imbalances.

### FEATURES

- Applying MEMS Principles
- Pressure range 0 to 50 bar

### APPLICATION

- Application of CALIBRIATON Technology
- HVAC SYSTEM (air conditioning outdoor unit, etc.)

### SPECIFICATIONS

<b>Pressure range</b>	0 ~ 20 bar
	0 ~ 50 bar
<b>Proof pressure</b>	50 bar (20bar)
	75 bar (50bar)
<b>Burst pressure</b>	100 bar (20 bar)
	200 bar (50 bar)
<b>Temperature range</b>	-30~120 °C
<b>Total accuracy</b>	±2% FS (-20 ~ 80 °C)
<b>Sensor output</b>	Analog : 0.5~4.5V
<b>Input voltage</b>	5V± 0.25V
<b>Current</b>	20mA
<b>Response time</b>	Within 20 ms

### THESEN

#### SENSOR SOLUTION DIVISION

16 Venture-ro 100beon-gil, Yeonsu-gu,  
Incheon, 22013, Korea  
Tel. 82-2-3458-7634  
Fax. 82-2-3458-7629

SALES [yj\\_lee@daeyang.co.kr](mailto:yj_lee@daeyang.co.kr)



#### THESEN QR Code

You can see more detailed information about our products take a QR.