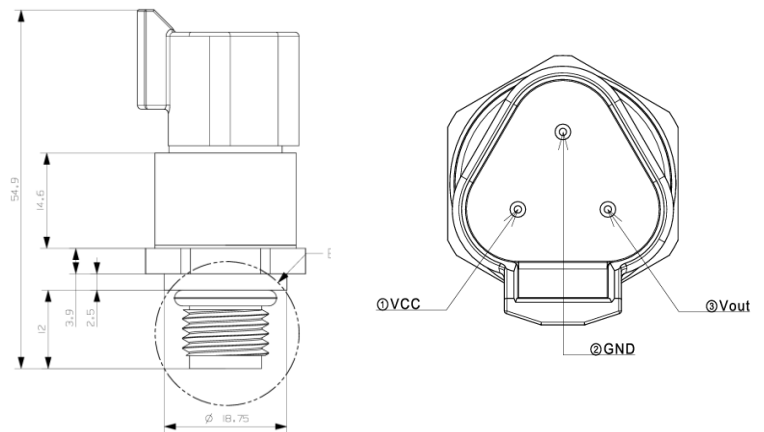


Pressure Sensor for Heavy-duty Applications IA100

DESCRIPTION

IA100 is a Pressure sensor for Heavy-duty system that can be used for severe Hydraulic applications. Pressure sensor has excellent properties just because of Using advantages of Si semiconductor with high sensitivity and the metal structure With high safety excepting for their demerits like fragility and low sensitivity, Respectively. Because of the characteristics, the operation range is wide from 50bar to 500bar and moreover.

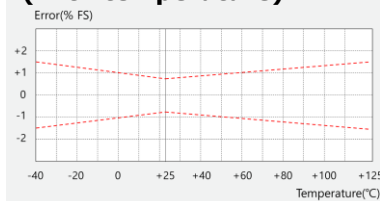


SPECIFICATIONS

Performance

Full scale pressure(bar)	50	100	500
Proof pressure(bar)	100	200	1,000
Burst pressure(bar)	250	500	2,500
Operating temperature	-40°C to 125°C		

Pressure output error (with temperature)



Max. $\pm 1.50\%$ FS at -40, 125°C
Min. $\pm 0.75\%$ FS at 25°C

FEATURES

- Analog output (Voltage)
- Measuring range (0~50bar, 100bar, 500bar)
- $\pm 1.50\%$ FS Accuracy(Total error band)
- MEMS application
- With integrated pulse-snubber
- Without integrated pulse-snubber

APPLICATION

- Heavy-duty systems.

Electrical

Supply voltage	8~30VDC
Supply current	15 mA (max.)
Sensor output	Analog

THESEN

SENSOR SOLUTION DIVISION

16 Venture-ro 100beon-gil, Yeonsu-gu,
Incheon, 22013, Korea
Tel. 82-2-3458-7634
Fax. 82-2-3458-7629

SALES yj_lee@daeyang.co.kr



THESEN QR Code

You can see more detailed information about our products take a QR.